



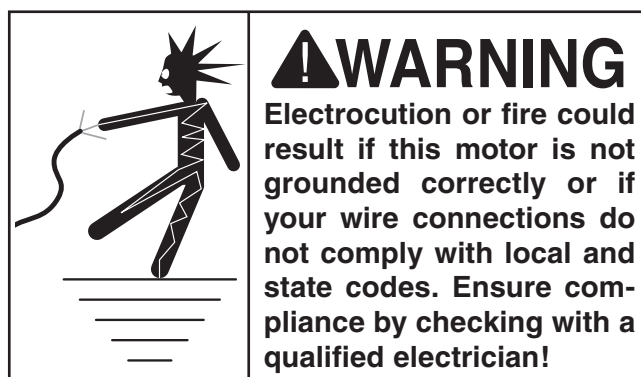
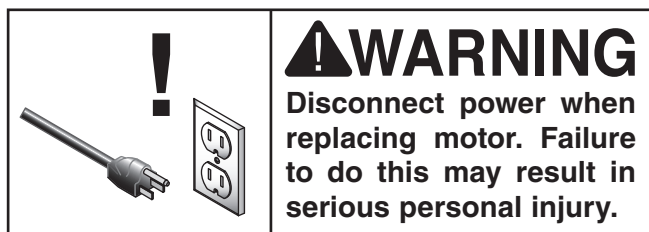
# MODEL G2901 1/2 HP ELECTRIC MOTOR INSTRUCTION SHEET

## Model G2901 Specifications

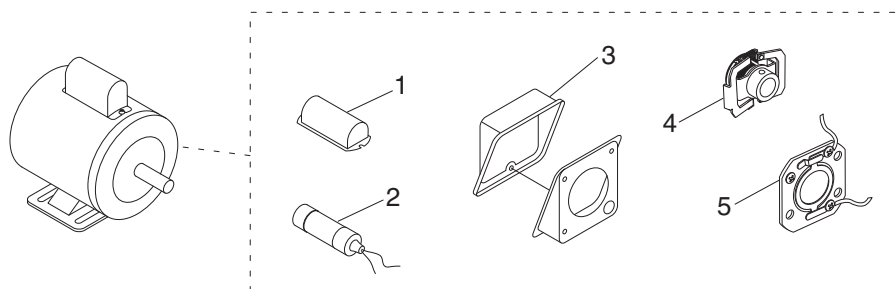
Power ..... 1/2 HP  
 Cycle.....60Hz  
 Voltage .....110/220V  
 Prewired ..... 110V  
 Amps .....8/4A  
 RPM..... 1725  
 Phase ..... Single  
 Class..... E  
 Start Capacitor .....200MFD 125VAC  
 Dimensions..... 1 1/2"D x 2 3/8"L

## Electrical Safety

If you are unsure how to attach wires to terminals, DO NOT continue. Contact a qualified electrician for assistance. Connecting wires improperly may cause them to come loose or contact other wires, which can cause electrocution, fire, or a short.



## Replaceable Parts



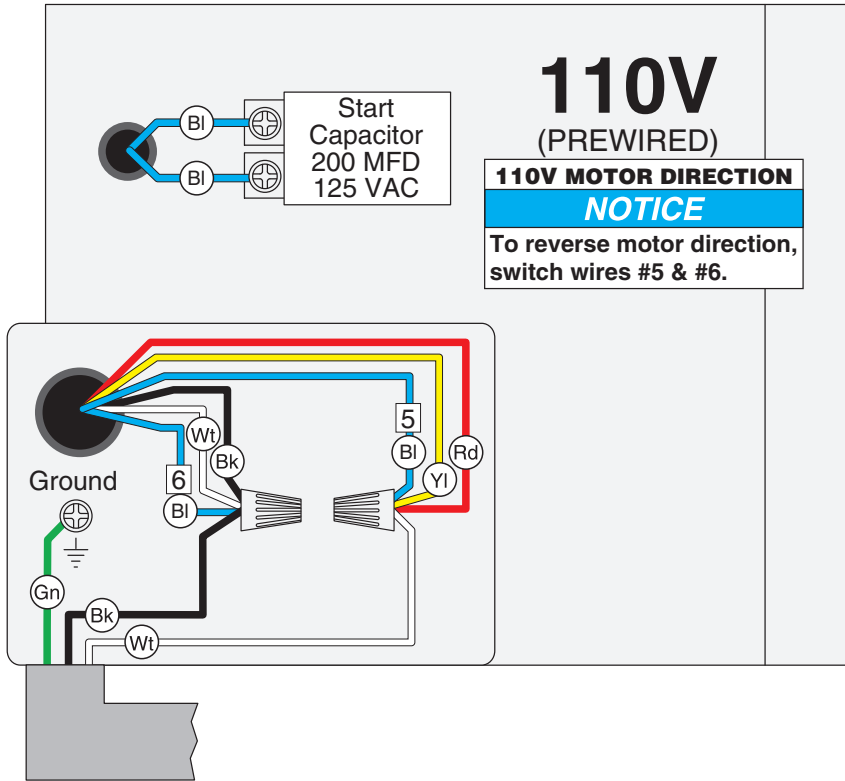
REF	PART #	DESCRIPTION
1	P2901001	S CAPACITOR COVER
2	PC200C	S CAPACITOR 200M 125V 1-1/2 X 2-3/8
3	P2901003	JUNCTION BOX

REF	PART #	DESCRIPTION
4	P2901004	CENTRIFUGAL SWITCH
5	P2901005	CONTACT PLATE







COPYRIGHT © DECEMBER, 2007 BY GRIZZLY INDUSTRIAL, INC.  
**WARNING: NO PORTION OF THIS INSTRUCTION SHEET MAY BE REPRODUCED IN ANY SHAPE OR FORM WITHOUT THE WRITTEN APPROVAL OF GRIZZLY INDUSTRIAL, INC.**  
 #JB10229 PRINTED IN TAIWAN

# G2901 Wiring Diagram

 View this page in color at [www.grizzly.com](http://www.grizzly.com).

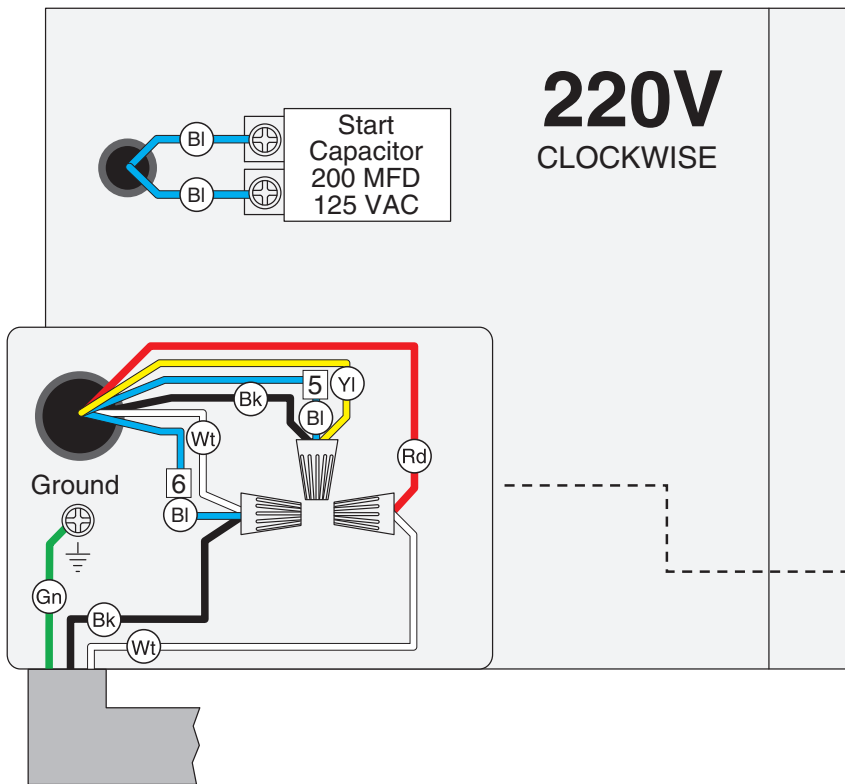


**COLOR KEY**

BLACK		Bk
WHITE		Wt
GREEN		Gn
RED		Rd
YELLOW		Yl
BLUE		Bl

**⚠ WARNING!**  
SHOCK HAZARD!  
Disconnect power  
before working on  
wiring.





**NOTICE**

The motor wiring shown here is current at the time of printing, but it may not match your machine. Always use the wiring diagram inside the motor junction box.

